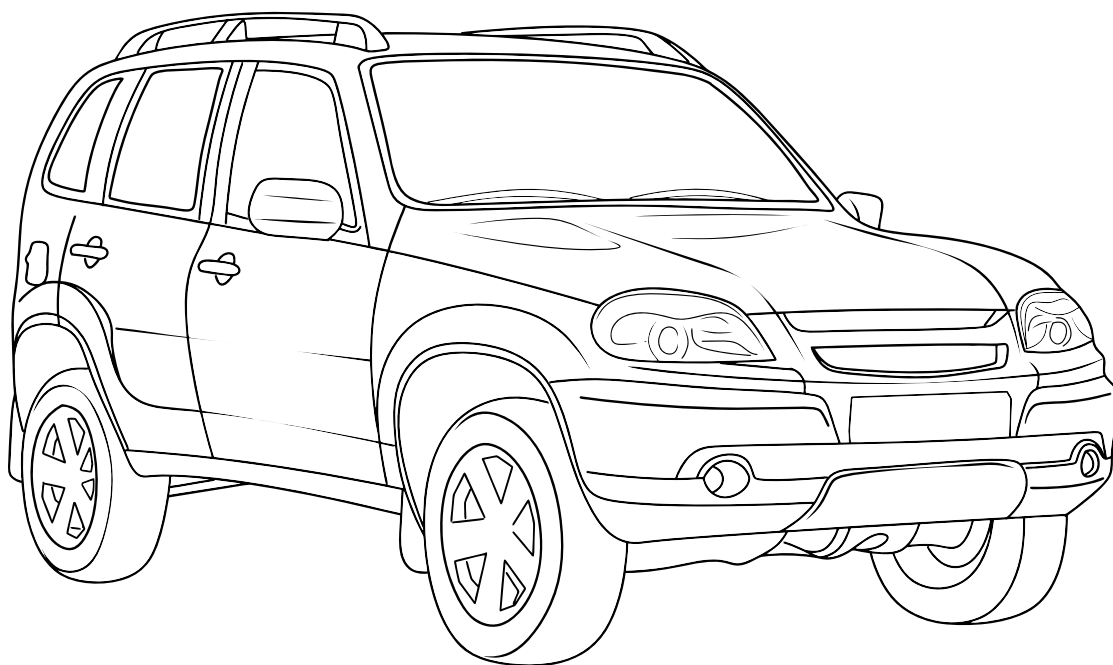


W 71 103 010



7-
(9200-76)

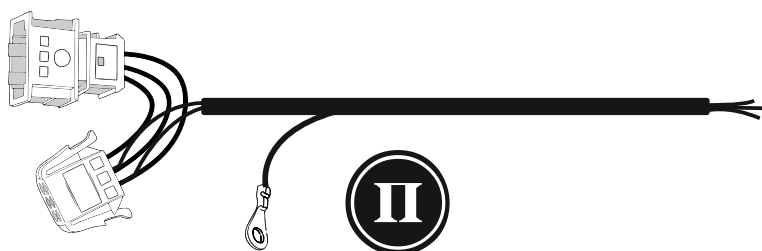
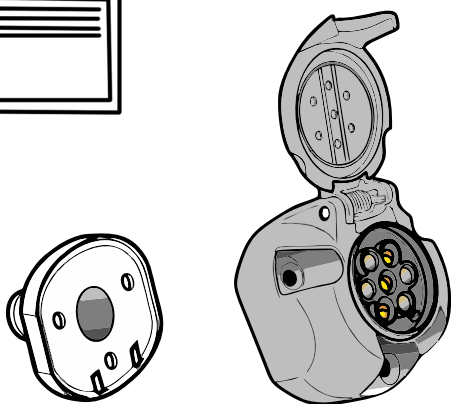
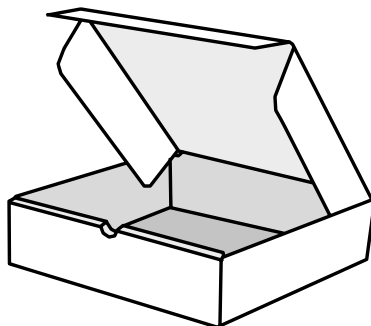
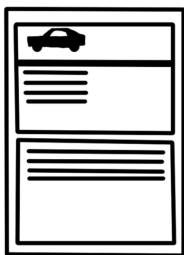


Для Chevrolet Niva 2002-2020

- 1.
- 2.

- 3.

!



3x



!

!

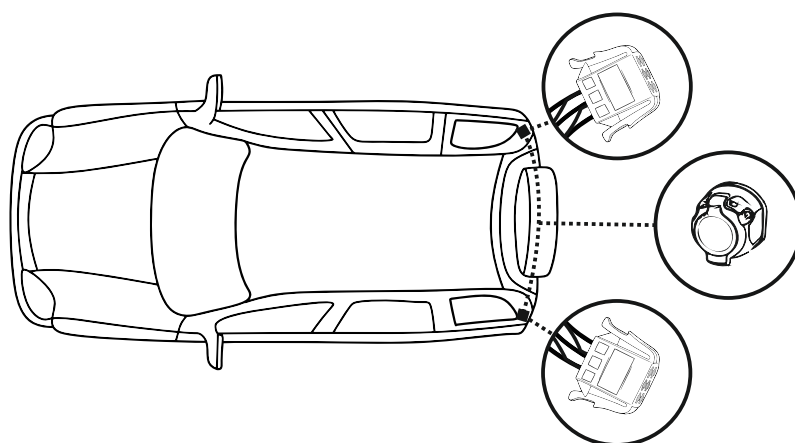
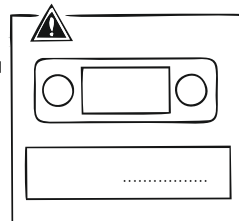
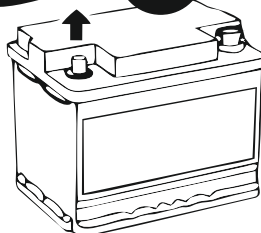
() .

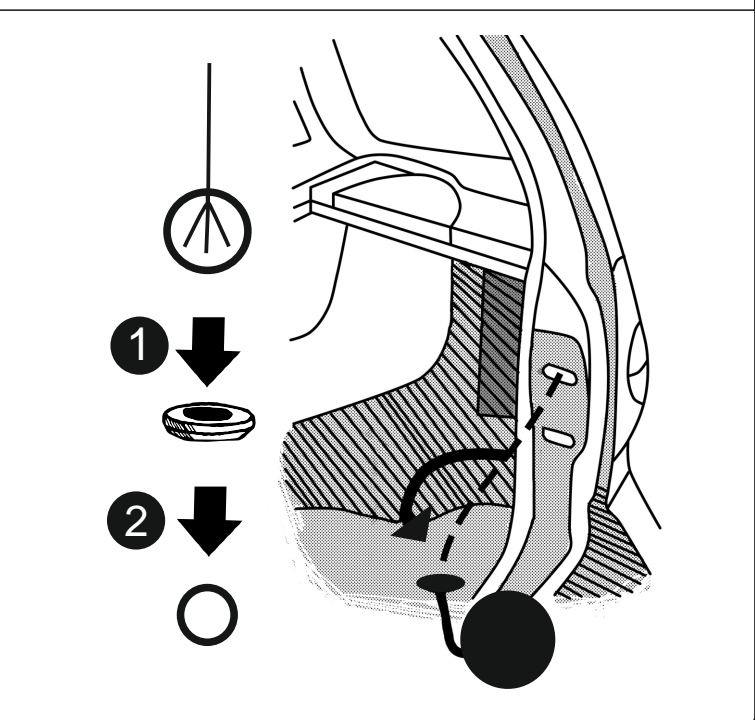
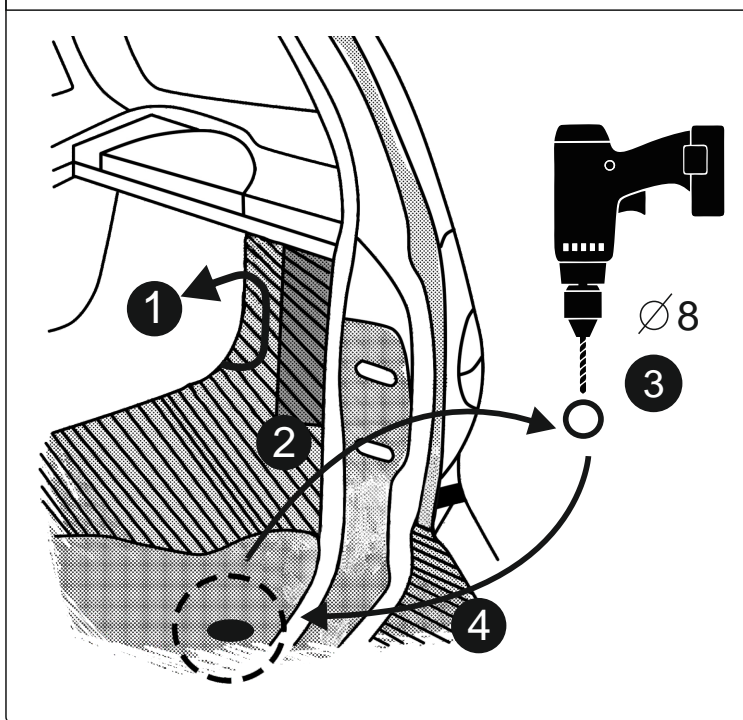
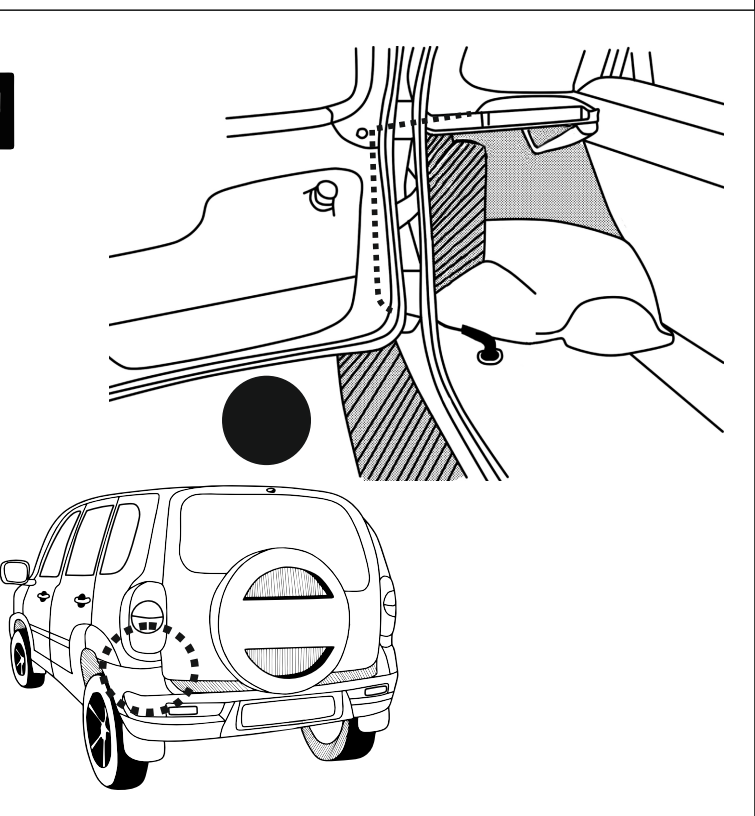
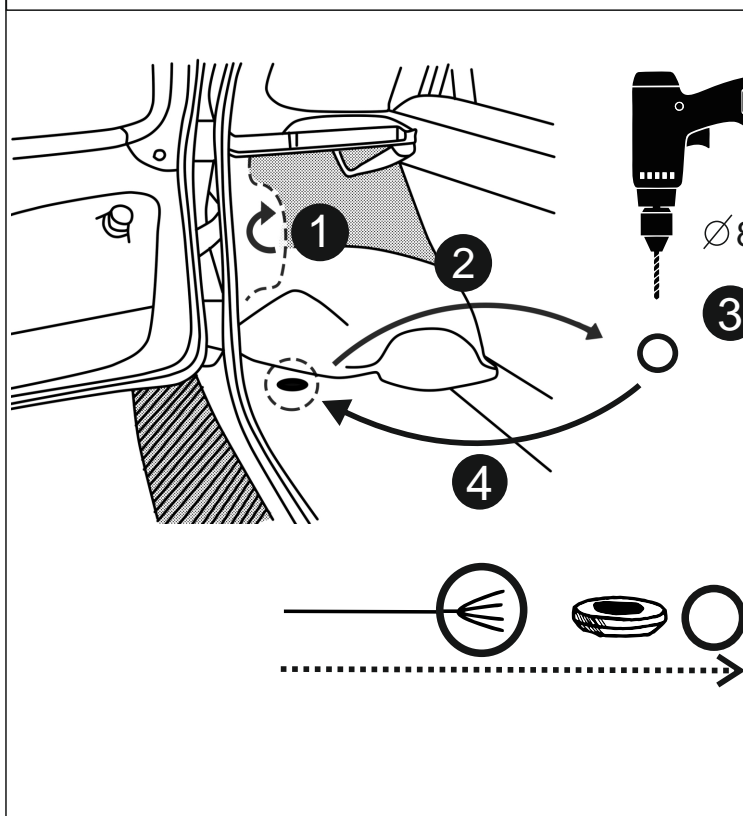
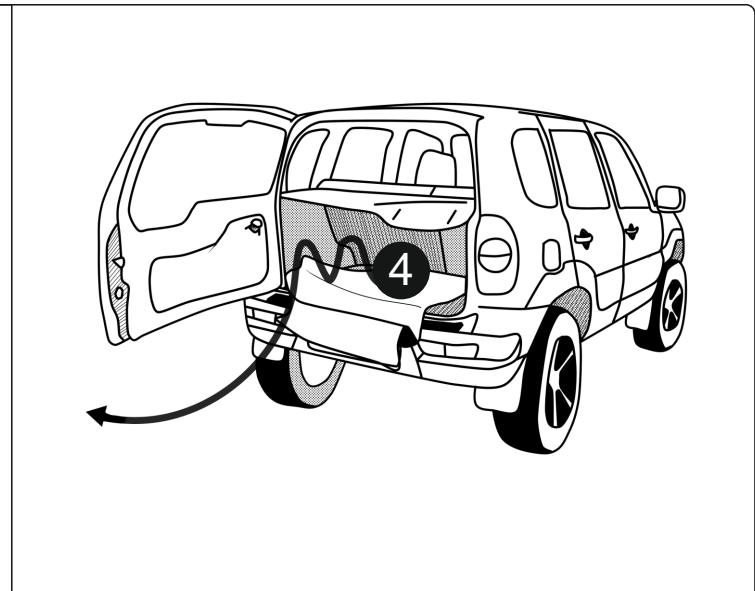
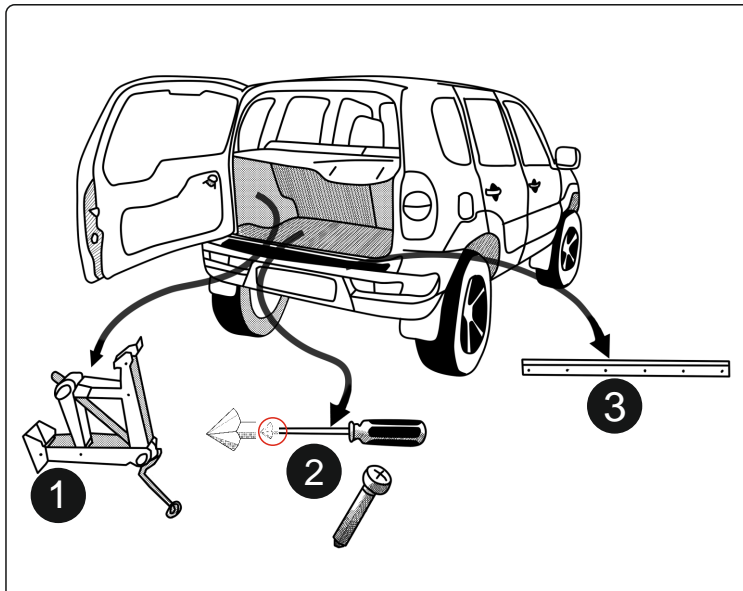
(

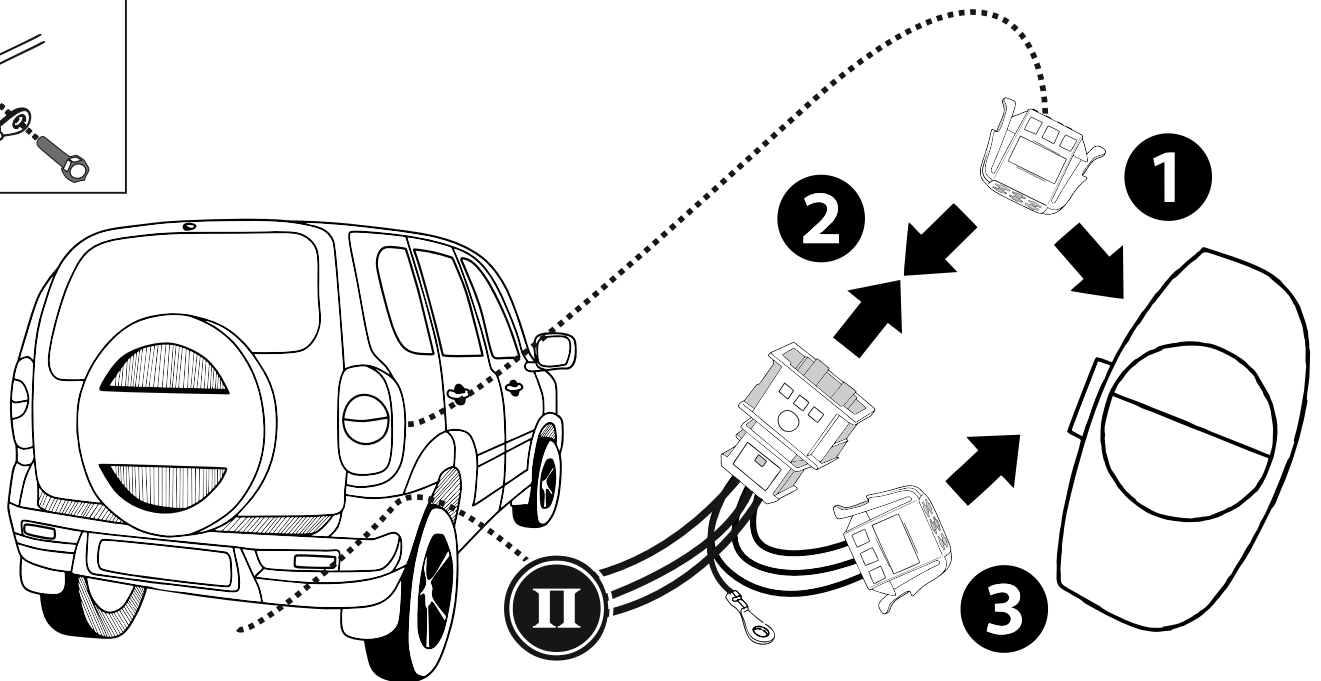
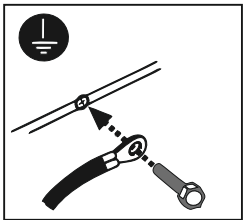
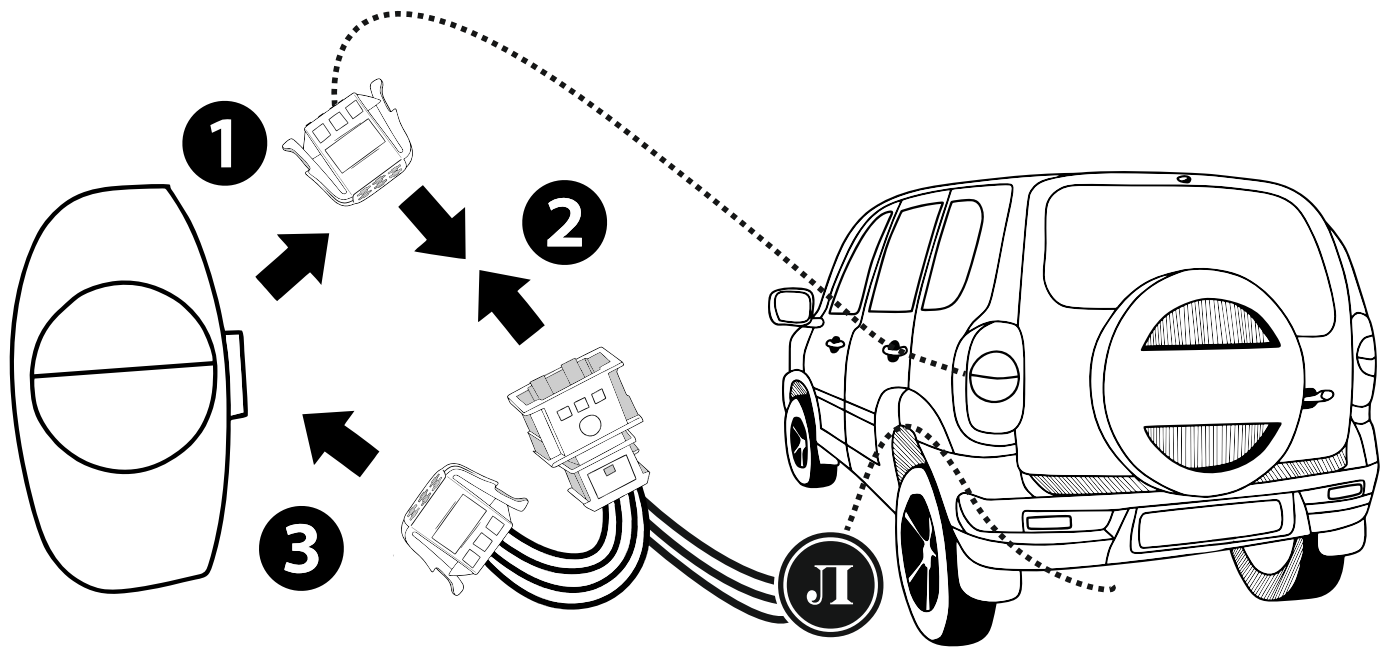
!

!

CODE
CODE ()

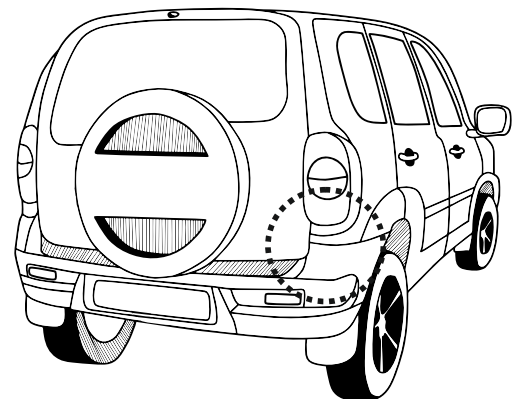
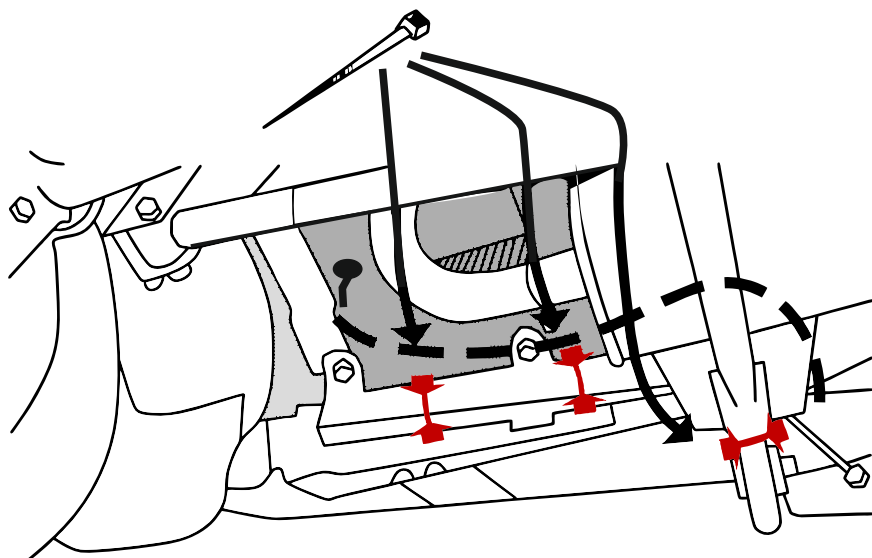
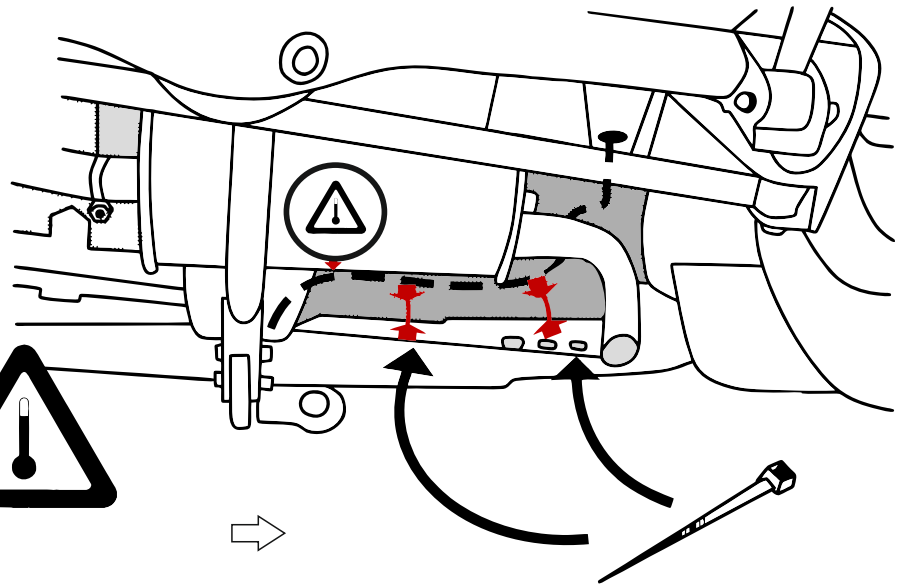
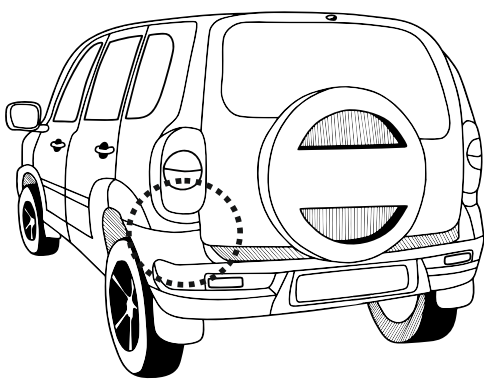
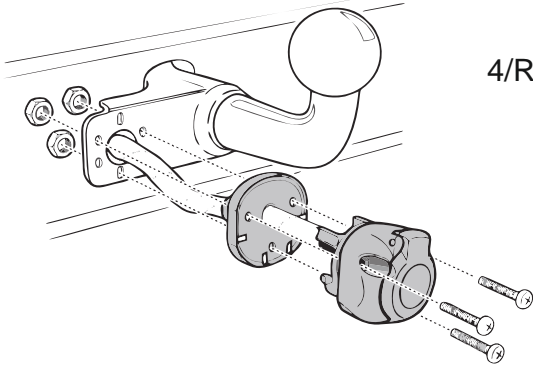
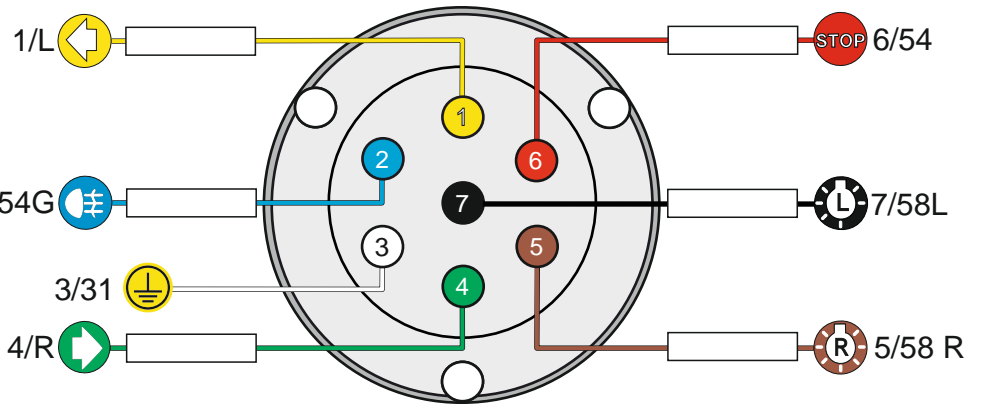
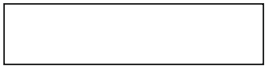




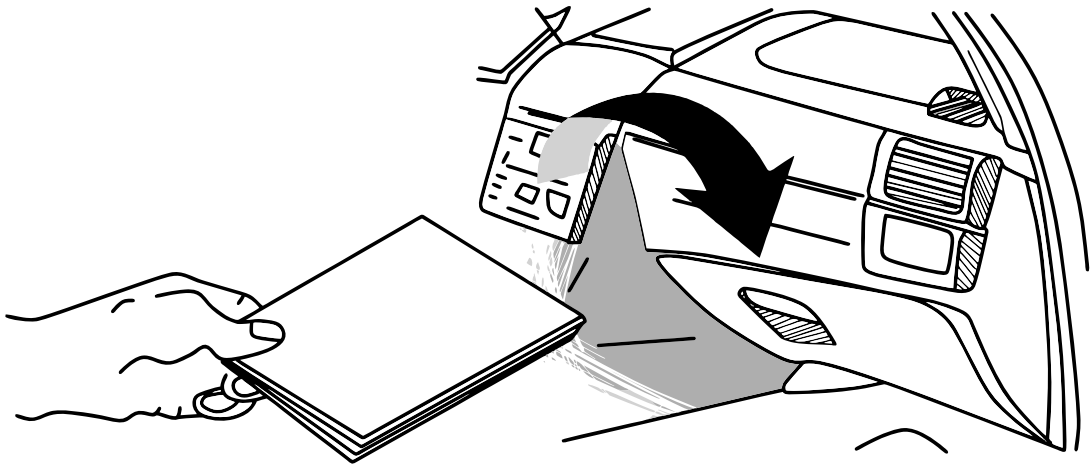
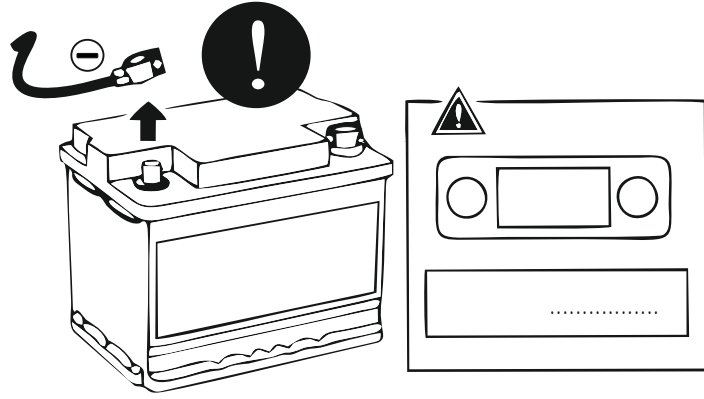


9200-76

1/L	2	3/31	4/R	5/58-R	6/54	7/58-L
21W	2x21W		21W	21W	2x21W	21W
				-		



[]



[]

